



**MODEL MF-RV SERIES**  
RELIEF VALVE TESTER  
MUFFLER ASSEMBLY



The **Model MF Series Muffler Assembly** is designed to be used on flanged valves from 2" to 12"

**Standard features include:**

- Adjustable frame with swivel casters, can be lifted and lowered depending on the valve size being tested.
- Push cart with swivel casters with brakes
- Hold down chains with adjustable hooks
- Water drain port when testing valves with water
- Slide in adjustable valve flange adapters with C clamps.

# MODEL MF-RV SERIES

RELIEF VALVE TESTER  
MUFFLER ASSEMBLY



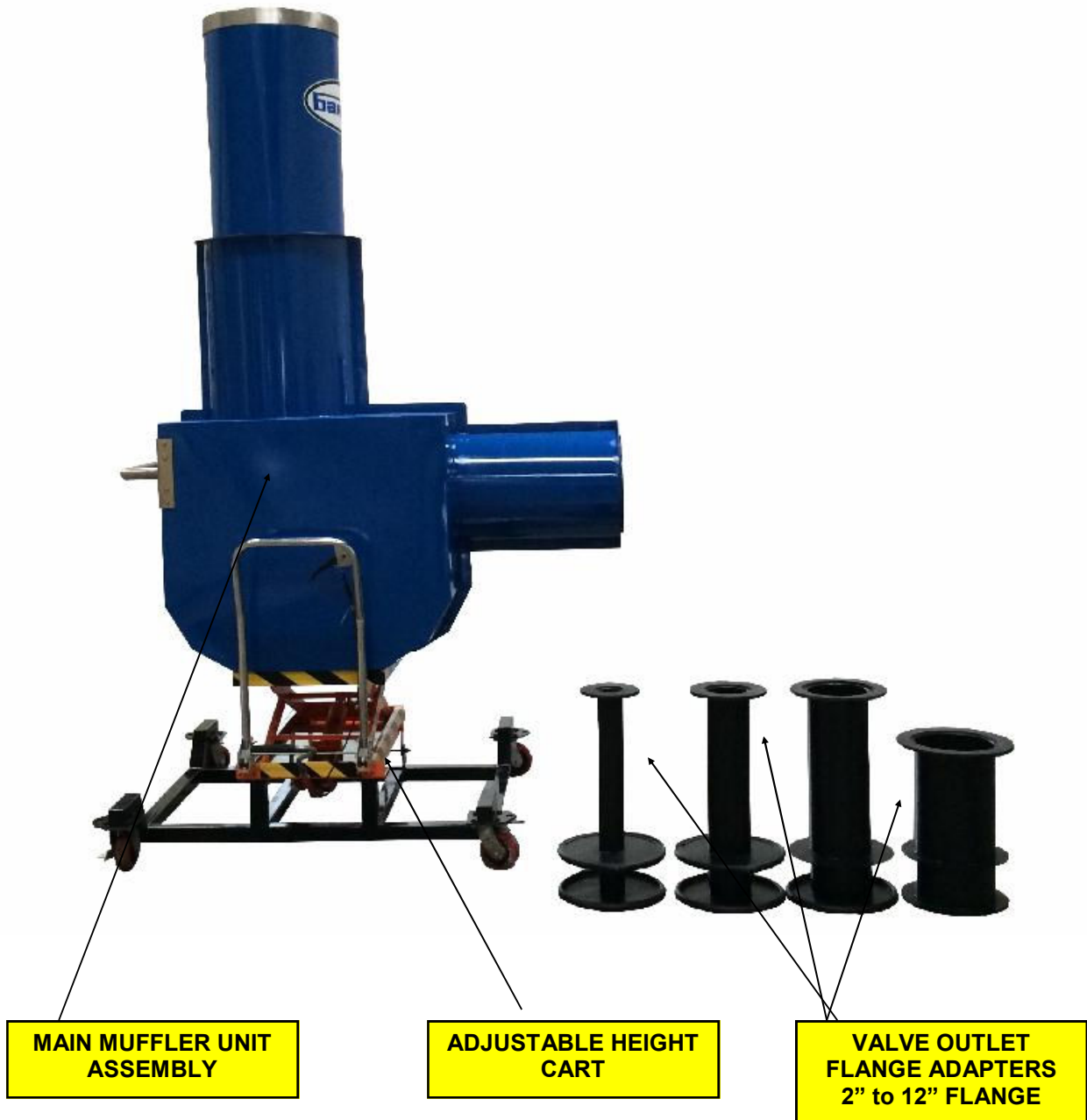
MUFFLER  
INTAKE TUBE

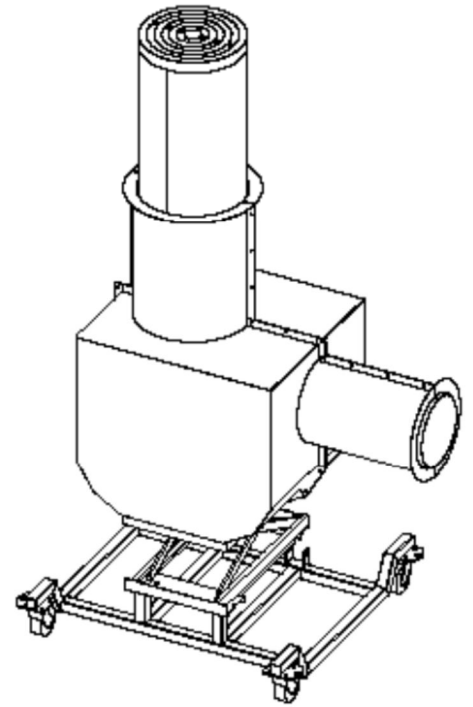
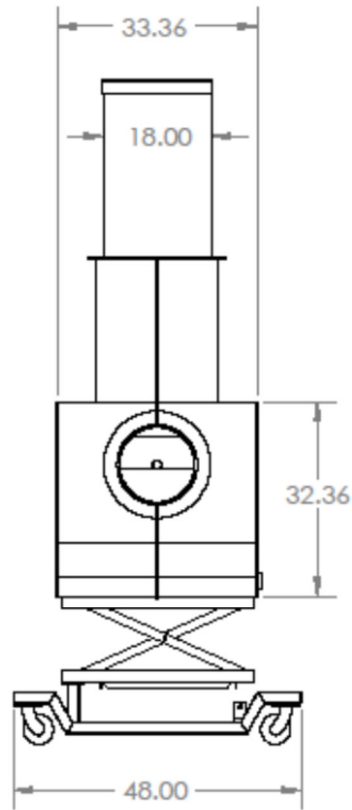
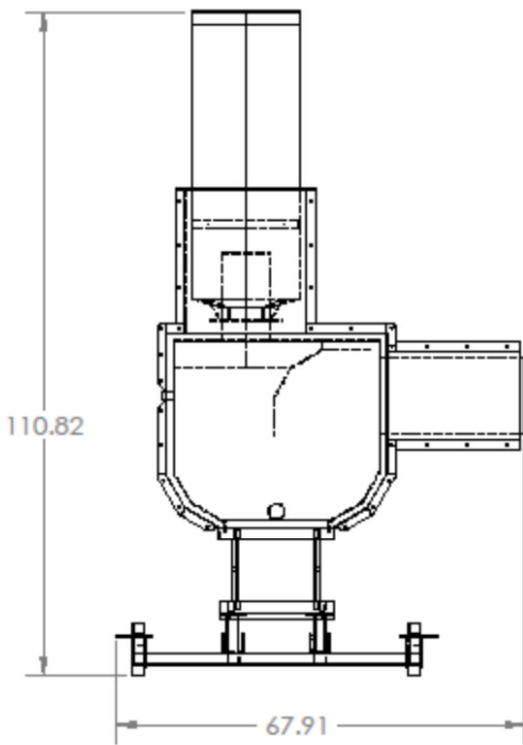
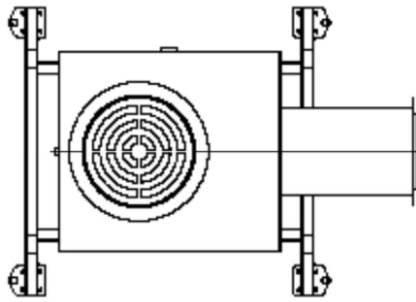
VALVE OUTLET  
FLANGE ADAPTER

RELIEF VALVE TESTER  
FIXTURE

# MODEL MF-RV SERIES

RELIEF VALVE TESTER  
MUFFLER ASSEMBLY





**MUFFLER ASSEMBLY  
DIMENSIONS**